

A Real-Time Wavelet-Domain Video Denoising Implementation in FPGA

Mihajlo Katona,¹ Aleksandra Pižurica,² Nikola Teslić,¹ Vladimir Kovačević,¹ and Wilfried Philips²

¹Chair for Computer Engineering, University of Novi Sad, Fruškogorska 11, 21000 Novi Sad, Serbia and Montenegro

²Department of Telecommunications and Information Processing, Ghent University, Sint-Pietersnieuwstraat 41, 9000 Ghent, Belgium

Received 15 December 2005; Accepted 13 April 2006

The use of field-programmable gate arrays (FPGAs) for digital signal processing (DSP) has increased with the introduction of dedicated multipliers, which allow the implementation of complex algorithms. This architecture is especially effective for data-intensive applications with extremes in data throughput. Recent studies prove that the FPGAs offer better solutions for real-time multiresolution video processing than any available processor, DSP or general-purpose. FPGA design of critically sampled discrete wavelet transforms has been thoroughly studied in literature over recent years. Much less research was done towards FPGA design of overcomplete wavelet transforms and advanced wavelet-domain video processing algorithms. This paper describes the parallel implementation of an advanced wavelet-domain noise filtering algorithm, which uses a nondecimated wavelet transform and spatially adaptive Bayesian wavelet shrinkage. The implemented arithmetic is decentralized and distributed over two FPGAs. The standard composite television video stream is digitalized and used as a source for real-time video sequences. The results demonstrate the effectiveness of the developed scheme for real-time video processing.

Copyright © 2006 Mihajlo Katona et al. This is an open access article distributed under the Creative Commons Attribution License, which permits unrestricted use, distribution, and reproduction in any medium, provided the original work is properly cited.

1. INTRODUCTION

Video denoising is important in numerous applications, such as television broadcasting systems, teleconferencing, video surveillance, and restoration of old movies. Usually, noise reduction can significantly improve visual quality of a video as well as the effectiveness of subsequent processing tasks, like video coding.

Noise filters that aim at a high visual quality make use of both spatial and temporal redundancy of video. Such filters are known as spatio-temporal or three-dimensional (3D) filters. Often 2D spatial filter and 1D temporal filter are applied separately, and usually sequentially (because spatial denoising facilitates motion detection and estimation). Temporal filtering part is often realized in a recursive fashion in order to minimize the memory requirements. Numerous existing approaches range from lower complexity solutions, like 3D rational [1] and 3D order-statistic [2, 3] algorithms to sophisticated Bayesian methods based on 3D Markov models [4, 5].

Multiresolution video denoising is one of the increasingly popular research topics over recent years. Roosmalen et al. [6] proposed video denoising by thresholding the coefficients of a specific 3D multiresolution representation, which

combines 2D steerable pyramid decomposition (of the spatial content) and a 1D wavelet decomposition (in time). Related to this, Selesnick and Li [7] investigated wavelet thresholding in a nonseparable 3D dual-tree complex wavelet representation. Rusanovskyy and Egiazarian [8] developed an efficient video denoising method using a 3D sliding window in the discrete cosine transform domain. Other recent multiresolution schemes employ separable spatial/temporal filters, where the temporal filter is motion adaptive recursive filter. Such schemes were proposed, for example, by Pižurica et al. [9] where a motion selective temporal filter follows the spatial one, and by Zlokolica et al. [10] where a motion-compensated temporal filter precedes the spatial one. Less research was done so far towards hardware design of these multiresolution video denoising schemes.

The use of the FPGAs for digital signal processing has increased with the introduction of dedicated multipliers, which facilitate the implementation of complex DSP algorithms. Such architectures are especially effective for data-intensive applications with extremes in data throughput. With examples for video processing applications Draper et al. [11] present performance comparison of FPGA and general-purpose processors. Similarly, Haj [12] illustrates two different wavelet implementations in the FPGAs and compares

these with general-purpose and DSP processors. Both studies come to the conclusion that the FPGAs are far more suitable for real-time video processing in the wavelet domain than any available processor, DSP or general-purpose.

The hardware implementation of the wavelet transform is related to the finite-impulse-response (FIR) filter design. Recently, the implementation of FIR filters has become quite common in the FPGAs. A detailed guide for the FPGA filter design is in [13] and techniques for area optimized implementation of FIR filters are presented, for example, in [14]. A number of different techniques for implementing the critically sampled discrete wavelet transform (DWT) in the FPGAs exist [15–21] including the implementation of MPEG-4 wavelet-based visual texture compression system [22]. Recently, the lifting scheme [23–25] is introduced for real-time DWT [20, 26] as well as the very-large-scale-integration (VLSI) implementation of the DWT using embedded instruction codes for symmetric filters [27]. The lifting scheme is attractive for hardware implementations because it replaces multipliers with shift operations. The FPGA implementations of overcomplete wavelet transforms are much less studied in literature.

Our initial techniques and results in FPGA implementation of wavelet-domain video denoising are in [28, 29]. These two studies were focusing on different aspects of the developed system: implementation of the wavelet transform and distributed computing over the FPGA modules in [28] and customization of a wavelet shrinkage function by look-up tables for implementation in read-only-memories (ROMs) [29]. The description was on a more abstract level focusing on the main concepts and not on the details of the architectural design.

In this paper, we report a full architectural design of a real-time FPGA implementation of a video denoising algorithm based on an overcomplete (nondecimated) wavelet transform and employing sophisticated locally adaptive wavelet shrinkage. We propose a novel FIR filter design for the nondecimated wavelet transform based on the algorithm *à trous* [30]. The implemented spatial/temporal filter is separable, where a motion-adaptive recursive temporal filter follows the spatial filter as was proposed in [9]. We present an efficient customization of the locally adaptive spatial wavelet filter using a combination of read-only-memories (ROMs) and a dedicated address generation network. We design an efficient implementation of a local window for wavelet processing using an array of delay elements. Our design of the complete denoising scheme distributes computing over two FPGA modules, which switch their functionality in time: while one module performs the direct wavelet transform of the current frame, the other module is busy with the inverse wavelet transform of the previous frame. After each two frames, the functioning of the two modules is reversed. We present a detailed data flow of the proposed scheme. For low-to-moderate noise levels, the designed FPGA implementation yields a minor performance loss compared to the software version of the algorithm. This proves the potentials of the FPGAs for real-time implementations of highly sophisticated and complex video processing algorithms.

The paper is organized as follows. Section 2 presents an overview of the proposed FPGA design, including the memory organization (Section 2.1) and data flow (Section 2.2). Section 3 details the FPGA design of the different building blocks in our video denoising scheme. We start with some preliminaries for the hardware design of the nondecimated wavelet transform (Section 3.1) and present the proposed pipelined FPGA implementation (Section 3.2). Next, we present the FPGA design of the locally adaptive wavelet shrinkage (Section 3.3) and finally the FPGA implementation of the motion-adaptive recursive temporal filter (Section 3.4). Section 4 presents the real-time environment used in this study. The conclusions are in Section 5.

2. REAL-TIME IMPLEMENTATION WITH FPGA

An overview of our FPGA implementation is illustrated in Figure 1. We use two independent modules working in parallel. Each module is implemented in a separate FPGA. While one module performs the wavelet decomposition of an input TV frame, the other module performs the inverse wavelet transform of the previous TV frame. The two modules switch their functionality in time. The wavelet-domain denoising block is located in front of the inverse wavelet transform.

The proposed distributed algorithm implementation over the two modules allows effective logic decentralization with respect to input and output data streams. Namely, while one FPGA module is handling the input video stream performing the wavelet decomposition, the other FPGA module is reading the wavelet coefficients for denoising, sending them to the wavelet reconstruction, and building up the visually improved output video stream.

2.1. Memory organization

The nondecimated wavelet transform demands significant memory resources. For example, in our implementation with three decomposition levels we need to store nine frames of wavelet coefficients for every input frame. In addition, we need an input memory buffer and an output buffer for isolating data accesses from different clock domains.

The input data stream is synchronized with a 13.5 MHz clock. For three decomposition levels the complete wavelet decomposition and reconstruction has to be completed with the clock of at least $3 \times 13.5 = 40.5$ MHz. The set-up of our hardware platform requires the output data stream at 27 MHz. Table 1 lists the required interfaces of the buffers that are used in the system.

The most critical timing issue is at the memory buffer for storing the wavelet coefficients. It has to provide simultaneous *read* and *write* options at 40.5 MHz. Due to lack of the SDRAM controller that supports this timing issue, the whole processing is split in two independent parallel modules. The idea is to distribute the direct and the inverse wavelet processing between these modules. While one module is performing the wavelet decomposition of the current frame, the other module is performing the inverse wavelet transform of the

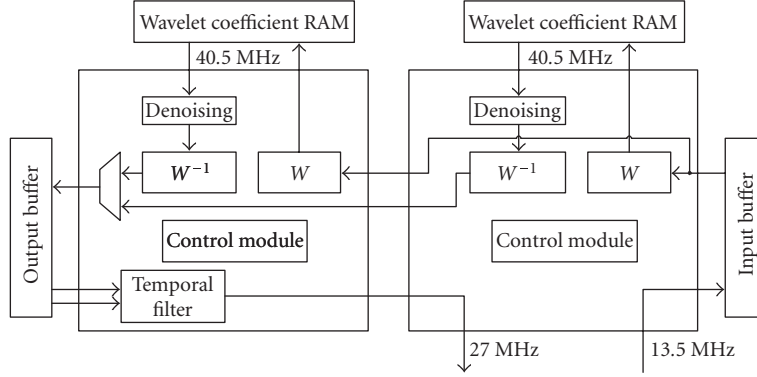


FIGURE 1: A detail of the FPGA implementation of the proposed wavelet-domain video denoising algorithm.

TABLE 1: Memory interfaces.

Buffers	Write port (MHz)	Read port (MHz)
Input buffer	13.5	40.5
Wavelet coefficients buffer	40.5	40.5
Output buffer	40.5	27

previous frame. With such organization, one module reads and the other module writes the coefficients. The approximation subband (LL band) during the wavelet decomposition and composition is stored in the onboard SRAM memory. This allows us to use only *read* or *write* memory port during one frame.

2.2. Data flow

The data flow through all the memory buffers and both FPGA's in our scheme is shown in Figure 2. The total delay is 4 frames. During the first 20 milliseconds, the input frame A_0 is stored in the input buffer at a clock rate of 13.5 MHz. During the next 20 milliseconds, this frame is read from the input buffer and is wavelet transformed in a 40.5 MHz clock domain, with 3 decomposition scales $W_1(A_0)$, $W_2(A_0)$, and $W_3(A_0)$. In parallel to this process, the next frame A_1 is written in the input buffer. The following time slot of 20 milliseconds is currently not used for processing A_0 , but is reserved for future additional processing in the wavelet domain. Within this period the frame A_1 is read from the input buffer and is decomposed in its wavelet coefficients. The frames A_0 and A_1 are processed by FPGA1. The next input frame, A_2 , is written in the input buffer, and is wavelet transformed in the next time frame by FPGA2.

The denoising and the inverse wavelet transform of the frame A_0 are performed afterwards. During this period the wavelet coefficients of the frame A_0 are read from the memory, denoised and the output frame is reconstructed with the inverse wavelet transform $W^{-1}(A_0)$. During the last reconstruction stage (the reconstruction at the finest wavelet scale), the denoised output frame is written to the output memory buffer. Parallel to this process, FPGA2 performs the

wavelet decomposition of the frame A_2 and the input frame A_3 is stored in the input buffer.

Finally, 4×20 milliseconds = 80 milliseconds after the frame A_0 appeared at the system input (4 frames later), it is read from the output buffer in a 27 MHz clock domain and is sent to the selective recursive temporal filter and to the system output afterwards. The output data stream is aligned with a 100 Hz refresh rate, which means that the same frame is sent twice to the output within one time frame of 20 milliseconds. Additionally, FPGA2 performs the wavelet decomposition of the frame A_3 . Further on, A_4 frame is written to the input buffer and is decomposed in the following time frame under the control of FPGA1.

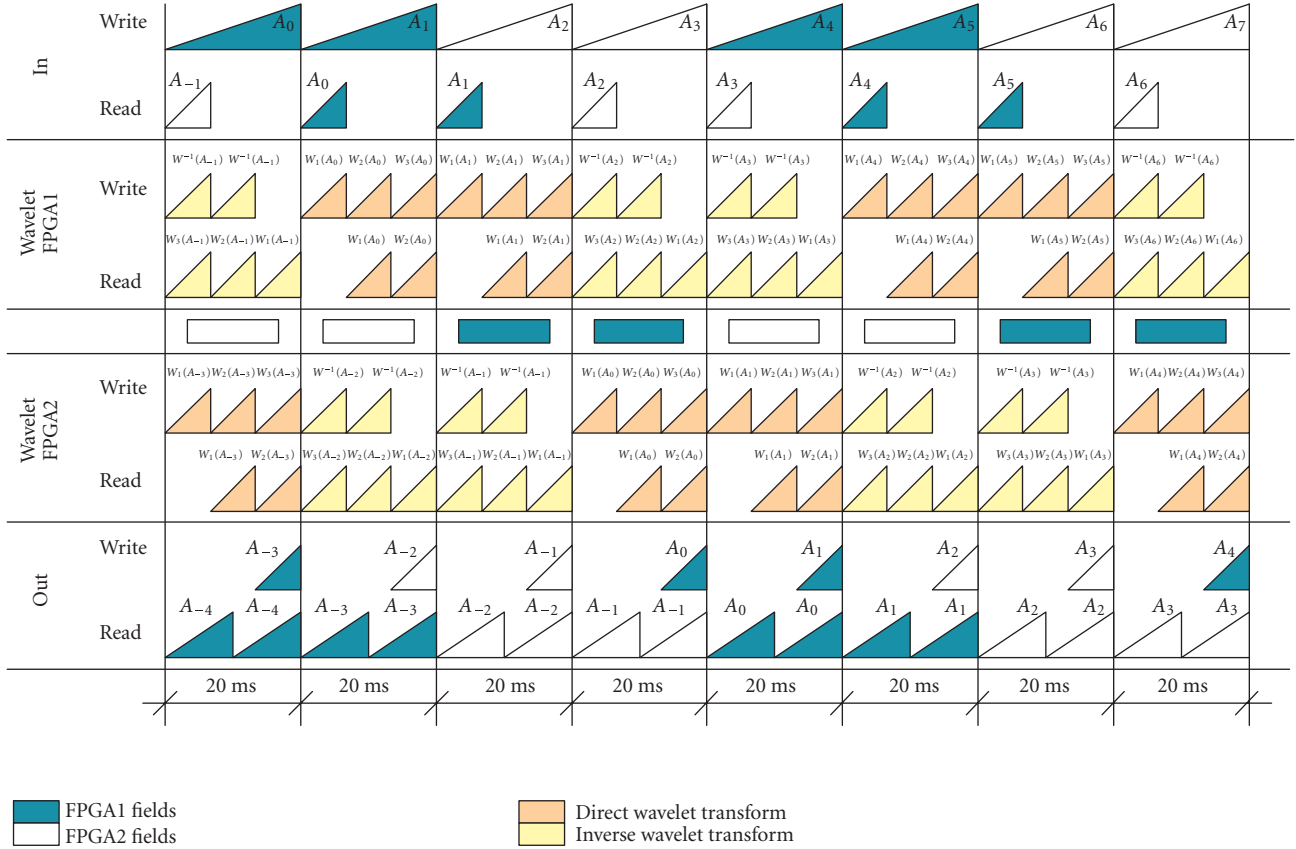
In this scheme, the two FPGAs actually switch their functionality after each two frames. The FPGA1 performs the wavelet decomposition for two frames, while the FPGA2 performs the inverse wavelet transform of the previous two frames. After two frames, this is reversed.

3. ALGORITHM CUSTOMIZATION FOR REAL-TIME PROCESSING

We design an FPGA implementation of a sequential spatial/temporal video denoising scheme from [9], which is depicted in Figure 3. Note that we use an overcomplete (non-decimated) wavelet transform to guarantee a high-quality spatial denoising. In this representation, with three decomposition levels the number of the wavelet coefficients is 9 times the input image size. Therefore we choose to perform the temporal filtering in the image domain (after the inverse wavelet transform) in order to minimize the memory requirements.

3.1. The customization of the wavelet transform

While hardware implementations of the orthogonal wavelet transform have been extensively studied in literature [16–21, 26, 27], much less research has been done towards implementations of the nondecimated wavelet transform. We develop a hardware implementation of the non-decimated wavelet transform based on the algorithm *à trous* [30] and with the classical three orientation subbands per scale. This



$W_j(A_i)$ -wavelet decompositions at scale j
 $W^{-1}(A_i)$ -wavelet reconstruction of the frame A_i
 A_j -processing frame with index i

FIGURE 2: The data flow of wavelet processing.

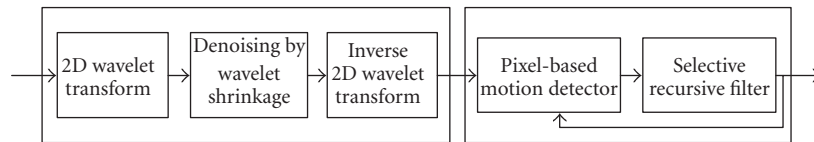


FIGURE 3: The implemented denoising scheme.

algorithm upsamples the wavelet filters at each decomposition level. In particular, $2^j - 1$ zeros (“holes,” in French, *trous*) are inserted between the filter coefficients at the decomposition level j , as it is shown in Figure 4.

We use the SystemC library [31] and a previously developed simulation environment [32, 33] to develop a real-time model of the wavelet decomposition and reconstruction. Figure 5 shows the simulation model. After a number of simulations and tests we have concluded that the real-time wavelet implementation with 16 bit arithmetic gives practically the same results as a referent MATLAB code of the algorithm *à trous* [30]. At a number of input frames there were more than 97.13% errorless pixels with mean error of 0.0287. Analyzing those figures at the level of bit representation, we

can conclude that maximally 1 bit out of 16 was wrong. The wrong bit may occur on the bit position 0 shown in Figure 6. Taking into account that input pixels are 8 bit integers we can ignore this error.

3.2. The pipelined FPGA implementation of the nondecimated wavelet transform

Here we develop an FPGA implementation of a nondecimated wavelet transform with three orientation subbands per scale. We design FIR filters for the algorithm *à trous* [30] with the Daubechies’ minimum phase wavelet of length four [34] and we implement the designed FIR filters with dedicated multipliers in the Xilinx Virtex2 FPGAs [35].

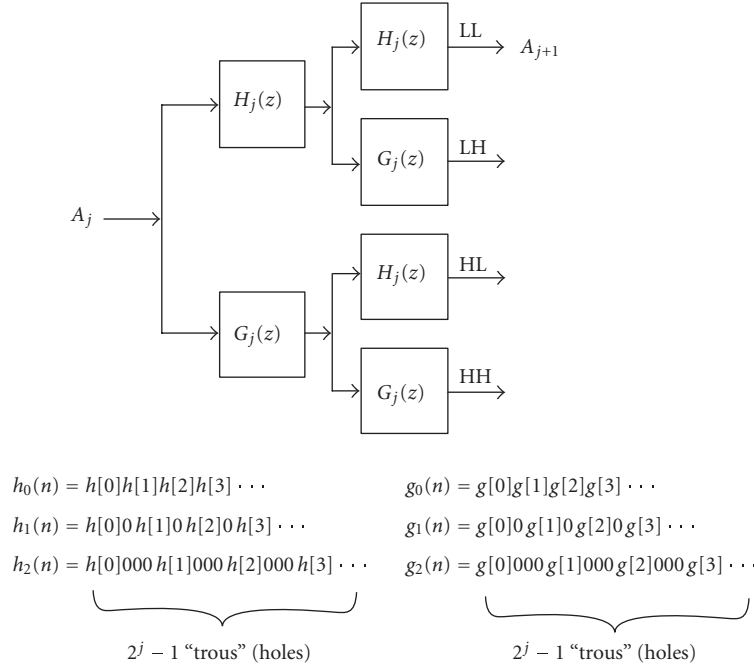


FIGURE 4: The nondecimated 2D discrete wavelet transform.

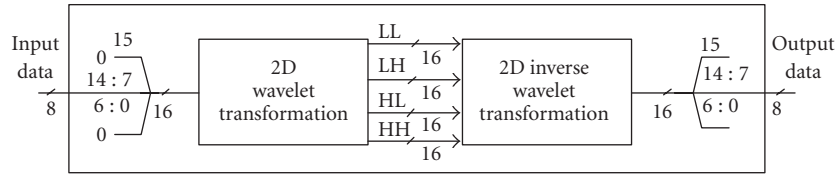


FIGURE 5: The developed simulation model for the implementation of the wavelet transform.

Our implementation of the 2D wavelet transform is line-based as shown in Figure 7. We choose the line alignment in order to preserve the video sequence input format and to pipeline the whole processing in our system. The horizontal and the vertical filtering is performed within one pass of the input video stream. We avoid using independent horizontal and vertical processing which requires two cycles and an internal memory for storing the output of the horizontal filtering. Instead, we use the line-based vertical filtering with as many internal line buffers as there are taps in the used FIR filter.

The horizontal and vertical FIR filters differ only in the filter delay path implementation. The data path of the horizontal filter is a register pipeline as shown in Figure 8. The data path of the vertical filter is the output of the line buffers. Hence, the vertical FIR filter does not include any delay elements, but only the pipelined filtering arithmetics (multipliers and an adder). Pipelining the filtering arithmetics ensures the requested timing for data processing and we use this approach both for the horizontal and vertical filters.

The algorithm *à trous* [30] upsamples the wavelet filters by inserting $2^j - 1$ zeros between the filter coefficients at the

decomposition level j (see Figure 4). We implement this filter up-sampling by using a longer filter delay path and the appropriate data selection logic. The required number of the registers depends on the length of the mother wavelet function and on the number of the decomposition levels used. We use a wavelet of length four and three decomposition levels, and hence our horizontal filter in Figure 8 contains $3 \times 4 = 12$ registers. Four registers are dedicated to the 4-tap filter and 3 times as many are needed to implement the required up-sampling up to the third decomposition level. Analogously, on the vertical filtering side, each line buffer for vertical filtering is able to store up to 4 lines.

For the calculation of the first decomposition level of the wavelet transform, only the first 4 registers $d_0, d_1, d_2,$ and d_3 in Figure 8 are used in the FIR filter register pipeline. At the second decomposition level, the wavelet filters have to be up-sampled with 1 zero between the filter coefficients. In our implementation, this means that registers $d_0, d_2, d_4,$ and d_6 are used for filtering. Figure 8 illustrates the FIR filter configuration during the calculation of the wavelet coefficients from the third decomposition level. During this period, the $d_0, d_4, d_8,$ and d_{12} registers are involved in the filtering process.

	F	E	D	C	B	A	9	8	7	F	5	4	3	2	1	0
0	Input									0	0	0	0	0	0	0
0	Output									X	X	X	X	X	X	X

FIGURE 6: Input and output data format.

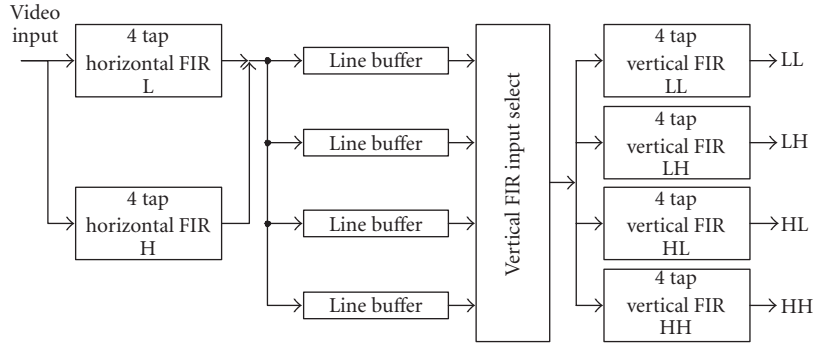


FIGURE 7: A block schematic of the developed hardware implementation of the wavelet transform.

We implement the inverse wavelet transform accordingly. The processing is mirrored when compared to the wavelet decomposition: the vertical filtering is done first and the horizontal processing afterwards. The FIR filter design is the same as for the direct wavelet transform, only the filter coefficients $a(0)$, $a(1)$, $a(2)$, and $a(3)$ in Figure 8 are mirrored.

3.3. The wavelet shrinkage customization

Our video denoising scheme employs a spatially adaptive wavelet shrinkage approach of [36]. A brief description of this denoising method follows.

Let y_l denote the noise-free wavelet coefficient and w_l its observed noisy version at the spatial position l in a given wavelet subband. For compactness, we suppressed here the indices that denote the scale and the orientation. The method of [36] shrinks each wavelet coefficient by a factor which equals the probability that this coefficient presents a signal of interest. The signal of interest is defined as a noise-free signal component that exceeds in magnitude the standard deviation of noise σ . The probability of the presence of a signal of interest at position l is estimated based on the coefficient magnitude $|w_l|$ and based on a local spatial activity indicator $z_l = \sum_{k \in \partial_l} |w_k|$, where ∂_l is the neighborhood of the pixel l (within a squared window) and N_l is the number of the neighboring coefficients. For example, for a 3×3 window ∂_l consists of the 8 nearest neighbors of the pixel l ($N_l = 8$).

Let H_1 denote the hypothesis “the signal of interest is present:” $|y_l| > \sigma$ and let H_0 denote the opposite hypothesis: “ $|y_l| \leq \sigma$.” The shrinkage estimator of [9] is

$$\hat{y}_l = P(H_1 | w_l, z_l) w_l = \frac{\rho \xi_l \eta_l}{1 + \rho \xi_l \eta_l} w_l, \quad (1)$$

where

$$\rho = \frac{P(H_1)}{P(H_0)}, \quad \xi_l = \frac{p(w_l | H_1)}{p(w_l | H_0)}, \quad \eta_l = \frac{p(z_l | H_1)}{p(z_l | H_0)}. \quad (2)$$

$p(w_l | H_0)$ and $p(w_l | H_1)$ denote the conditional probability density functions of the noisy coefficients given the absence and given the presence of a signal of interest. Similarly, $p(z_l | H_0)$ and $p(z_l | H_1)$ denote the corresponding conditional probability density functions of the local spatial activity indicator. The input-output characteristic of this wavelet denoiser is illustrated in Figure 9. This figure shows that the coefficients that are small in magnitude are strongly shrunk towards zero, while the largest ones tend to be left unchanged. The displayed family of the shrinkage characteristics corresponds to the different values of the local spatial activity indicator. For the same coefficient magnitude $|w_l|$ the input coefficient will be shrunk less if LSAI z_l is bigger and vice versa.

We now address the implementation of this shrinkage function. Under the Laplacian prior for noise-free data $p(y) = (\lambda/2) \exp(-\lambda|y|)$ we have [9] $\rho = \exp(-\lambda T)/(1 - \exp(-\lambda T))$. The analytical expressions for ξ_l and η_l seem too complex for the FPGA implementation. We efficiently implement the two likelihood ratios ξ_l and η_l as appropriate *look-up tables*, stored in two “read-only” memories (ROM). The generation of the particular look-up-tables is based on an extensive experimental study, as we explain later in this section. The developed architecture is presented in Figure 10. One ROM memory, containing the look-up table ξ_l , is addressed by the coefficient magnitude $|w_l|$, and the other ROM memory, containing the look-up table $\rho \eta_l$ is addressed by LSAI z_l . For calculating LSAI, we average the coefficient values from the current line and from the previous two lines within

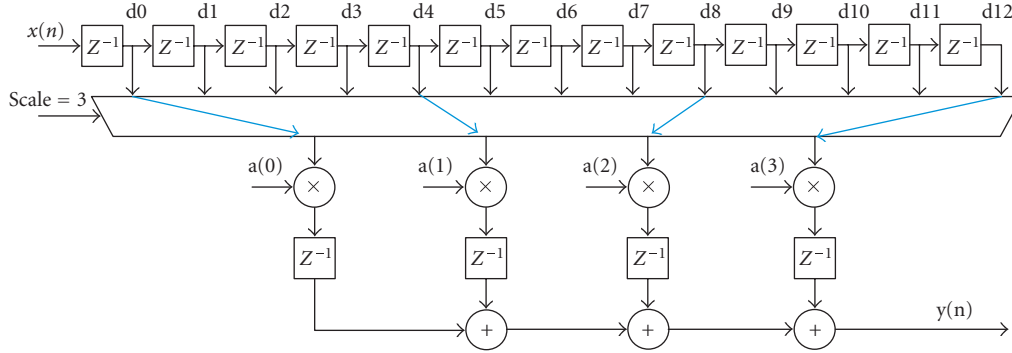


FIGURE 8: The proposed FIR filter implementation of the algorithm *à trous* for a mother wavelet of length 4 and supporting up to 3 decomposition levels. The particular arithmetic network using the registers d0, d4, d8, and d12 corresponds to the calculation of the wavelet coefficients at the third decomposition level.

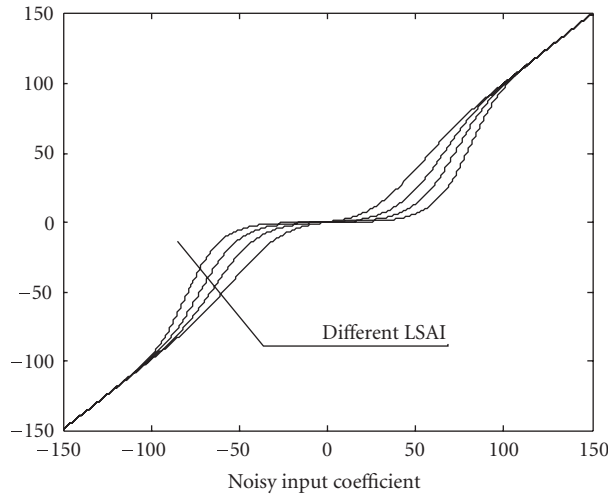


FIGURE 9: An illustration of the employed wavelet shrinkage family.

a 3×3 window. The read values from ROM's are multiplied to produce the generalized likelihood ratio $r = \rho \xi_l \eta_l$. We found it more efficient to realize the shrinkage factor $r/(1+r)$ using another ROM (look-up-table) instead of using the arithmetic operations. The output of this look-up-table denoted here as "shrinkage ROM" is the desired wavelet shrinkage factor. Finally, the output of the shrinkage ROM multiplies the input coefficient to yield the denoised coefficient.

We denoise in parallel three wavelet bands LH, HL, and HH at each scale. Different resolution levels (we use three) are processed sequentially as illustrated in Figure 2. The low-pass (LL) band is only delayed for the number of clock periods that are needed for denoising. This delay, which is in our implementation 6 clock cycles, ensures the synchronization of the inputs at the inverse wavelet transform block (see the timing in Figure 2).

The generation of the appropriate look-up tables for the two likelihood ratios resulted from our extensive experiments on different test images and different noise-levels as it is described in [29]. Figure 11 illustrates the likelihood ra-

tio ξ_l calculated from one test image at different noise levels. These diagrams show another interpretation of the well-known threshold selection principle in wavelet denoising: a well-chosen threshold value for the wavelet coefficients increases with the increase of the noise level. The maximum likelihood estimate of the threshold T (i.e., the value for which $p(T | H_0) = p(T | H_1)$) is the abscissa of the point $\xi_l = 1$. Figure 12 displays the likelihood ratio ξ_l in the diagonal subband HH at third decomposition level, for 10 different frames with fixed noise standard deviations ($\sigma = 10$ and $\sigma = 30$). We showed in [29] that from a practical point of view, the difference between the calculated likelihood ratios for different frames is minor, especially for lower noise levels (up to $\sigma = 20$). Therefore we average the likelihood ratios over different frames and store these values as the corresponding look-up tables for several different noise levels ($\sigma = 5, 10, 15,$ and 20). In the denoising procedure, the user selects the input noise level, which enables addressing the correct set of the look-up tables. The performance loss of the algorithm due to simplifications with the generated look-up tables is for different input noise levels shown in Figure 13. These results

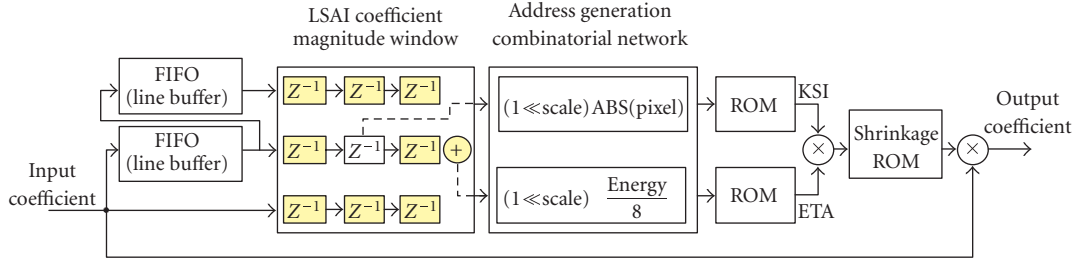


FIGURE 10: Block schematic of implemented denoising architecture.

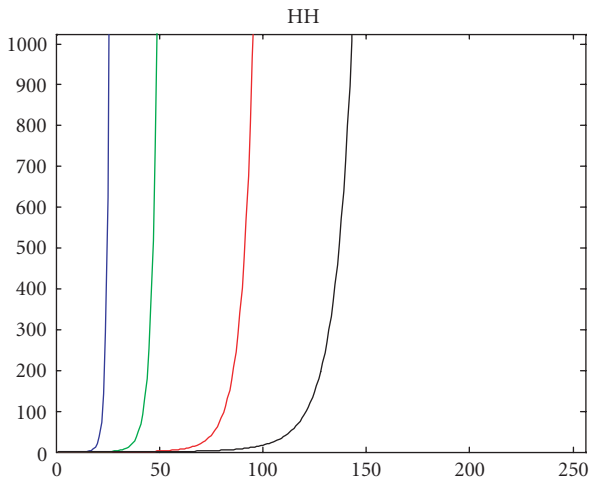


FIGURE 11: Likelihood ratio ξ_l for one test frame and 4 different noise levels ($\sigma = 5, 10, 20, 30$).

represent peak signal-to-noise ratio (PSNR) values averaged over frames of several different video sequences. For $\sigma = 10$ the average performance loss was only 0.13 dB (and visually, the differences are difficult to notice) while for $\sigma = 20$ the performance loss is 0.55 dB and is on most frames becoming visually noticeable, but not highly disturbing. For higher noise levels, the performance loss increases.

In the current implementation, the user has to select one of the available noise levels. With such approach, it is possible that the user will not choose the best possible noise reduction. If the selected noise level is smaller from the real noise level in the input signal, some of the noise will remain in the output signal. On the other hand, if the noise level is over-estimated, the output signal will be blurred without satisfying visual effect.

This user intervention can be avoided by implementing a noise level estimator. The output of this block could be used for the look-up table selection, which further enables adjustable noise reduction according to the noise level in input signal. For example, a robust wavelet-domain noise estimator based on the median absolute deviation [37] can be used for this purpose or other related wavelet-domain noise estimators like [38].

The likelihood ratios ξ_l and η_l are monotonic increasing functions. We are currently investigating the approximation

of these functions by a family of piece-wise linear functions parameterized by the noise standard deviation and by the parameter of the marginal statistical distribution of the noise-free coefficients in a given subband.

3.4. Temporal filtering

A pixel-based motion detector with selective recursive temporal filtering is quite simple for hardware implementation. Since we first apply a high quality spatial filtering the noise is already significantly suppressed and thus a pixel-based motion detection is efficient. In case the motion is detected the recursive filtering is switched off.

Two pixels are involved for temporal filtering at a time: one pixel from the current field and another from the same spatial position in the previous field. We store the two fields in the output buffer and read the both required pixel values in the same cycle. If the absolute difference between these two pixel values is smaller than the predefined threshold value, *no motion* case is assumed and the two pixel values are subject to a weighted averaging, with the weighting factors defined in [9]. In the other case, when motion is detected, the current pixel is passed to the output. The block schematic in Figure 14 depicts the developed FPGA architecture of the selective recursive temporal filter described above. We use the 8 bit arithmetic because the filter is located in the time domain where all the pixels are represented as 8 bit integers.

4. REAL-TIME ENVIRONMENT

In our implementation we use the standard television broadcasting signal as a source of video signal. A common feature of all standard TV broadcasting technologies is that the video sequence is transmitted in analog domain (this excludes the latest DVB and HDTV transmission standards). Thus, before digital processing of television video sequence the digitalization is needed. Also, after digital processing the sequence has to be converted back to the analogue domain in order to be shown on a standard tube display. This pair of A/D and D/A converters is well known as a codec. The 8 bit codec, with 256 levels of quantization per pixel, is considered sufficient from the visual quality point of view. Figure 15 shows a block schematic of digital processing for television broadcasting systems.

We use the PAL-B broadcasting standard and 8 bit YUV 4 : 2 : 2 codec. The hardware platform set-up consists of

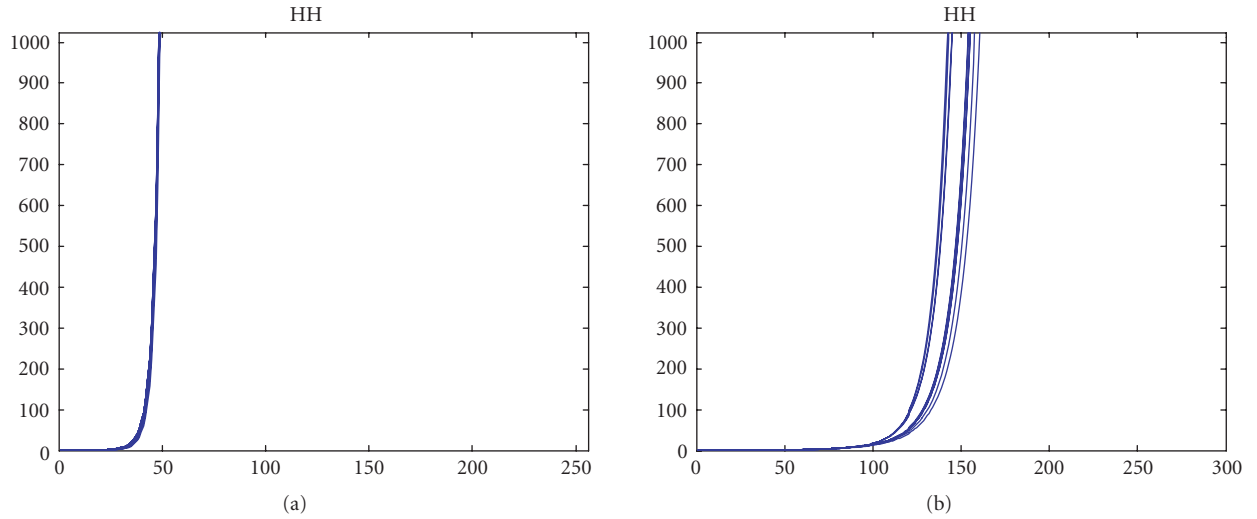


FIGURE 12: Likelihood ratio ξ_l displayed for 10 frames with fixed-noise levels: $\sigma = 10$ (a) and $\sigma = 30$ (b).

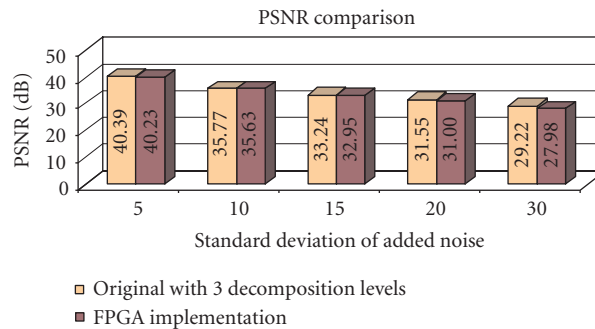


FIGURE 13: Performance of the designed FPGA implementation in comparison with the original software version of the algorithm, which employs exact analytical calculation of the involved shrinkage expression.

three separate boards. Each board corresponds to one of the blocks presented in Figure 15:

- (i) Micronas IMAS-VPC 1.1 (A/D— analog front-end) [39];
- (ii) CHIPit Professional Gold Edition (processing block) [40];
- (iii) Micronas IMAS-DDPB 1.0 (D/A— analog back-end) [41].

We made all the connections among the previously mentioned boards with a separate *interconnection* board designed for this purpose. This interconnection board consists of the interconnection channels and the voltage adjustments between the CHIPit board (3.3 V level) and the Micronas IMAS boards (5 V level).

The *processing* board consists of two Xilinx Virtex II FPGAs (XC2V6000-5) [35] and is equipped with plenty of SDRAM memory (6 banks with 32 bit access made with 256 Mbit ICs).

All boards of the used hardware platform are configured with the I2C interface. The user is able to set up the needed

noise level in input signal. This is fulfilled with writing appropriate value to the corresponding register in the FPGA accessible via the I2C interface. Appropriate look-up table with the averaged likelihood ratio is selected according to the value in this register.

5. CONCLUSION

We designed a real-time FPGA implementation of an advanced wavelet-domain video denoising algorithm. The developed hardware architecture is based on innovative technical solutions that allow an implementation of sophisticated adaptive wavelet denoising in hardware. We believe that the results reported in this paper can be interesting for a number of industrial applications, including TV broadcasting systems. Our current implementation has limitations in practical use due to the required user-intervention for noise level estimation. Our future work will integrate the noise level estimation to avoid these limitations and to allow automatic adaptation of the denoiser to the noise level changes in the input signal.

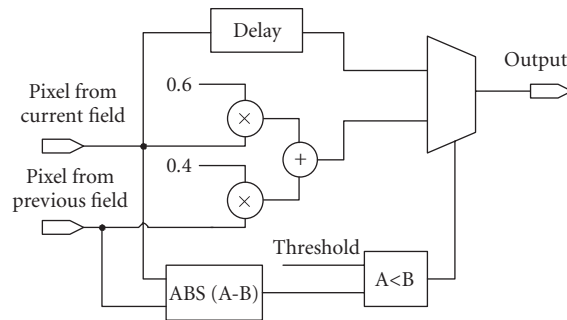


FIGURE 14: Block schematic of implemented temporal filter.

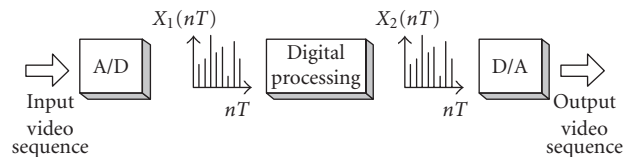


FIGURE 15: A digital processing system for television broadcasting video sequences.

ACKNOWLEDGMENT

The second author is a Postdoctoral Researcher of the Fund for the Scientific Research in Flanders (FWO), Belgium.

REFERENCES

- [1] F. Cocchia, S. Carrato, and G. Ramponi, "Design and real-time implementation of a 3-D rational filter for edge preserving smoothing," *IEEE Transactions on Consumer Electronics*, vol. 43, no. 4, pp. 1291–1300, 1997.
- [2] G. Arce, "Multistage order statistic filters for image sequence processing," *IEEE Transactions on Signal Processing*, vol. 39, no. 5, pp. 1146–1163, 1991.
- [3] V. Zlokolica and W. Philips, "Motion and detail adaptive denoising of video," in *Image Processing: Algorithms and Systems III*, vol. 5298 of *Proceedings of SPIE*, pp. 403–412, San Jose, Calif, USA, January 2004.
- [4] L. Hong and D. Brzakovic, "Bayesian restoration of image sequences using 3-D Markov random fields," in *Proceedings of the IEEE International Conference on Acoustics, Speech and Signal Processing (ICASSP '89)*, vol. 3, pp. 1413–1416, Glasgow, UK, May 1989.
- [5] J. Brailean and A. Katsaggelos, "Simultaneous recursive displacement estimation and restoration of noisy-blurred image sequences," *IEEE Transactions on Image Processing*, vol. 4, no. 9, pp. 1236–1251, 1995.
- [6] P. van Roosmalen, S. Westen, R. Lagendijk, and J. Biemond, "Noise reduction for image sequences using an oriented pyramid thresholding technique," in *IEEE International Conference on Image Processing*, vol. 1, pp. 375–378, Lausanne, Switzerland, September 1996.
- [7] I. Selesnick and K. Li, "Video denoising using 2D and 3D dual-tree complex wavelet transforms," in *Wavelets: Applications in Signal and Image Processing X*, vol. 5207 of *Proceedings of SPIE*, pp. 607–618, San Diego, Calif, USA, August 2003.
- [8] D. Rusanovskyy and K. Egiazarian, "Video denoising algorithm in sliding 3d dct domain," in *Proceedings of the 7th International Conference on Advanced Concepts for Intelligent Vision Systems (ACIVS '05)*, J. Blanc-Talon, W. Philips, D. Popescu, and P. Scheunders, Eds., vol. 3708 of *Lecture Notes on Computer Science*, pp. 618–625, Antwerp, Belgium, September 2005.
- [9] A. Pižurica, V. Zlokolica, and W. Philips, "Noise reduction in video sequences using wavelet-domain and temporal filtering," in *Wavelet Applications in Industrial Processing*, vol. 5266 of *Proceedings of SPIE*, pp. 48–59, Providence, RI, USA, October 2003.
- [10] V. Zlokolica, A. Pižurica, and W. Philips, "Video denoising using multiple class averaging with multiresolution," in *The International Workshop on Very Low Bitrate Video Coding (VLBV '03)*, pp. 172–179, Madrid, Spain, September 2003.
- [11] B. A. Draper, J. R. Beveridge, A. P. W. Bohm, C. Ross, and M. Chawathe, "Accelerated image processing on FPGAs," *IEEE Transactions on Image Processing*, vol. 12, no. 12, pp. 1543–1551, 2003.
- [12] A. M. Al-Haj, "Fast discrete wavelet transformation using FPGAs and distributed arithmetic," *International Journal of Applied Science and Engineering*, vol. 1, no. 2, pp. 160–171, 2003.
- [13] G. Goslin, "A guide to using field programmable gate arrays (FPGAs) for application-specific digital signal processing performance," XILINX Inc., 1995.
- [14] C. Dick, "Implementing area optimized narrow-band FIR filters using Xilinx FPGAs," in *Configurable Computing: Technology and Applications*, vol. 3526 of *Proceedings of SPIE*, pp. 227–238, Boston, Mass, USA, November 1998.
- [15] R. D. Turney, C. Dick, and A. Reza, "Multirate filters and wavelets: from theory to implementation," XILINX Inc.
- [16] J. Ritter and P. Molitor, "A pipelined architecture for partitioned DWT based lossy image compression using FPGAs," in *ACM/SIGDA International Symposium on Field Programmable Gate Arrays (FPGA '01)*, pp. 201–206, Monterey, Calif, USA, February 2001.

- [17] M. Nibouche, A. Bouridane, F. Murtagh, and O. Nibouche, *FPGA-Based Discrete Wavelet Transforms System*, School of Computer Science, The Queen's University of Belfast, Belfast, UK, 2001.
- [18] M. A. Trenas, J. Lopez, and E. L. Zapata, "FPGA implementation of wavelet packet transform with reconfigurable tree structure," in *Proceedings of the 26th Euromicro Conference (EUROMICRO '00)*, pp. 1244–1251, Maastricht, The Netherlands, September 2000.
- [19] K. Wiatr and P. Russek, "Embedded zero wavelet coefficient coding method for FPGA implementation of video codec in real-time systems," in *The International Conference on Information Technology: Coding and Computing (ITCC '00)*, pp. 146–151, Las Vegas, Nev, USA, March 2000.
- [20] S. G. Mathen, "Wavelet transform based adaptive image compression on FPGA," M.S. thesis, University of Kansas, Manhattan, Kan, USA, 2000.
- [21] J. B. Ballagh, "An FPGA-based run-time reconfigurable 2-D discrete wavelet transform core," M.S. thesis, Virginia Polytechnic Institute, Blacksburg, Va, USA, 2001.
- [22] L. Nachtergaele, B. Vanhoof, M. Peón, G. Lafruit, J. Bormans, and I. Bolsens, "Implementation of a scalable MPEG-4 wavelet-based visual texture compression system," in *Proceedings of the 36th Design Automation Conference (DAC '99)*, pp. 333–336, New Orleans, La, USA, June 1999.
- [23] A. R. Calderbank, I. Daubechies, W. Sweldens, and B.-L. Yeo, "Wavelet transforms that map integers to integers," *Applied and Computational Harmonic Analysis*, vol. 5, no. 3, pp. 332–369, 1998.
- [24] W. Sweldens, "Lifting scheme: a new philosophy in biorthogonal wavelet constructions," in *Wavelet Applications in Signal and Image Processing III*, vol. 2569 of *Proceedings of SPIE*, pp. 68–79, San Diego, Calif, USA, July 1995.
- [25] W. Sweldens, "Wavelets and the lifting scheme: a 5 minute tour," *Zeitschrift für Angewandte Mathematik und Mechanik*, vol. 76, no. 2, pp. 41–44, 1996.
- [26] G. Dillen, B. Georis, J.-D. Legat, and O. Cantineau, "Combined line-based architecture for the 5-3 and 9-7 wavelet transform of JPEG2000," *IEEE Transaction on Circuits and Systems for Video Technology*, vol. 13, no. 9, pp. 944–950, 2003.
- [27] B.-F. Wu and Y.-Q. Hu, "An efficient VLSI implementation of the discrete wavelet transform using embedded instruction codes for symmetric filters," *IEEE Transactions on Circuits and Systems for Video Technology*, vol. 13, no. 9, pp. 936–943, 2003.
- [28] M. Katona, A. Pižurica, V. Zlokolica, N. Teslić, and W. Philips, "Real-time wavelet domain video denoising implemented in FPGA," in *Wavelet Applications in Industrial Processing II*, vol. 5607 of *Proceedings of SPIE*, pp. 63–70, Philadelphia, Pa, USA, October 2004.
- [29] M. Katona, A. Pižurica, N. Teslić, V. Kovacevic, and W. Philips, "FPGA design and implementation of a wavelet-domain video denoising system," in *Proceedings of the 7th International Conference on Advanced Concepts for Intelligent Vision Systems (ACIVS '05)*, J. Blanc-Talon, D. Popescu, W. Philips, and P. Scheunders, Eds., vol. 3708 of *Lecture Notes on Computer Science*, pp. 650–657, Antwerp, Belgium, September 2005.
- [30] S. Mallat and S. Zhong, "Characterization of signals from multiscale edges," *IEEE Transactions on Pattern Analysis and Machine Intelligence*, vol. 14, no. 7, pp. 710–732, 1992.
- [31] *SystemC Version 2.0 Users Guide*, SystemC Inc., 2002, <http://www.systemc.org>.
- [32] M. Katona, N. Teslić, V. Kovacevic, and M. Temerinac, "Test environment for bluetooth baseband integrated circuit development," in *Proceedings of the 5th International Conference on Telecommunications in Modern Satellite, Cable and Broadcasting Services (TELSIKS '01)*, B. D. Milovanovic, Ed., vol. 2, pp. 405–408, Nis, Yugoslavia, September 2001.
- [33] M. Katona, N. Teslić, and Z. Krajacevic, "FPGA design with SystemC," in *The 10th International Conference on Mixed Design of Integrated Circuits and Systems (MIXDES '03)*, A. Napieralski, Ed., vol. 1, pp. 220–223, Lodz, Poland, June 2003.
- [34] I. Daubechies, *Ten Lectures on Wavelets*, SIAM, Philadelphia, Pa, USA, 1992.
- [35] *Virtex II Platform FPGA: Complete Data Sheet*, XILINX Inc., 2004, <http://www.xilinx.com>.
- [36] A. Pižurica and W. Philips, "Estimating the probability of the presence of a signal of interest in multiresolution single- and multiband image denoising," *IEEE Transactions on Image Processing*, vol. 15, no. 3, pp. 654–665, 2006.
- [37] D. L. Donoho and I. M. Johnstone, "Adapting to unknown smoothness via wavelet shrinkage," *Journal of the American Statistical Association*, vol. 90, no. 432, pp. 1200–1224, 1995.
- [38] V. Zlokolica, A. Pižurica, and W. Philips, "Noise estimation for video processing based on spatial-temporal gradient histograms," to appear in *IEEE Signal Processing Letters*.
- [39] *VPC 3205C Video Processor Family*, ITT Semiconductors: ITT Intermetall, 1997, <http://www.micronas.com>.
- [40] *CHIPit Gold Edition Handbook*, ProDesign Electronic & CAD Layout, 2003, <http://www.prodesigncad.de>.
- [41] *DDPB 3310B Display and Deflection Processor*, Micronas Intermetall, 1998, <http://www.micronas.com>.

Mihajlo Katona was born in 1974, in Vrbas, Yugoslavia. In 1999, he received the Diploma degree in computer engineering and in 2001, M. S. degree in computer science both from the University of Novi Sad (Serbia and Montenegro). In 1999, he joined the Chair for Computer Engineering at the University of Novi Sad, where he is currently working as a Teaching Assistant in the "design of complex digital systems." He is currently pursuing his Ph.D. thesis. His research interests include digital signal processing, DSP algorithm customization for hardware implementation, system-on-chip architectures, and FPGA prototyping.



Aleksandra Pižurica was born in Novi Sad, Yugoslavia, on September 18, 1969. In 1994, she received the Diploma degree in electrical engineering from the University of Novi Sad, Yugoslavia, in 1997 the M.S. degree in telecommunications from the University of Belgrade, Yugoslavia, and in 2002 the Ph.D. degree from the Ghent University, Belgium. Since 1994 until 1997, she was working at the Department of Telecommunications of the University of Novi Sad, and in 1997 she joined the Department of Telecommunications and Information Processing of the Ghent University. She is the author of 15 papers in international journals and more than 50 papers at international scientific conferences. Her research interests include image restoration, multiresolution representations, Markov random field models, signal detection and estimation, multimedia applications, and remote sensing.



Nikola Teslić is a Professor at the Chair for Computer Engineering, Faculty of Engineering, University of Novi Sad, Serbia and Montenegro. In 1995, he received the Diploma degree in electrical engineering from the University of Novi Sad, Yugoslavia, in 1997 the M.S. degree in computer engineering, and in 1999 the Ph.D. degree from the University of Novi Sad, Serbia and Montenegro. Currently he lectures in the “design



of complex digital systems” and “software for TV sets and image processing” and “DSP architectures and algorithms.” His scientific interests are in the area of computer engineering, especially in the area of real-time systems, electronic computer-based systems, digital system for audio-video processing. He is the author of 6 papers in international journals and more than 50 papers at international scientific conferences.

Vladimir Kovačević is a Professor and he leads the Chair for Computer Engineering, Faculty of Engineering, University of Novi Sad, Yugoslavia. Currently he lectures in the “design of complex digital systems” and “computer systems design.” He received his Ph.D. degree at the University of Belgrade.



His scientific interests are in the areas of computer engineering, especially in the area of real-time systems, electronic computer-based systems, large-scale digital system design, computer systems design, communication networks, and systems programming.

Wilfried Philips was born in Aalst, Belgium on October 19, 1966. In 1989, he received the Diploma degree in electrical engineering and in 1993 the Ph.D. degree in applied sciences, both from the University of Ghent, Belgium. Since November 1997, he is a Lecturer at the Department of Telecommunications and Information Processing of the University of Ghent. His main research interests are image and video restoration and



analysis and data compression. He is the author of more than 50 papers in international journals and 200 papers in the proceedings of international scientific conferences, the Editor of 8 conference proceedings and 1 special issue of a journal. He has received 10 national and internal awards for his research. He coorganizes 2 international conferences in the area of image and video processing and computer vision and is a member of the program committee of several national and international workshops.